

江苏捷远容器有限公司

JIANGSU JIEYUAN CONTAINER CO.,LTD

Packaging - Specification

Used for 1000L IBC Tank with UN /
DN150, EPDM gasket, G2 plug with venting
Colour:Black,Red or White

Jiangsu Jieyuan
Date: 2021
1/3

Construction:

Description: DN150 with external thread, closed with screw cap, G2-plug with vent, sealing-cap and gasket.

Material:

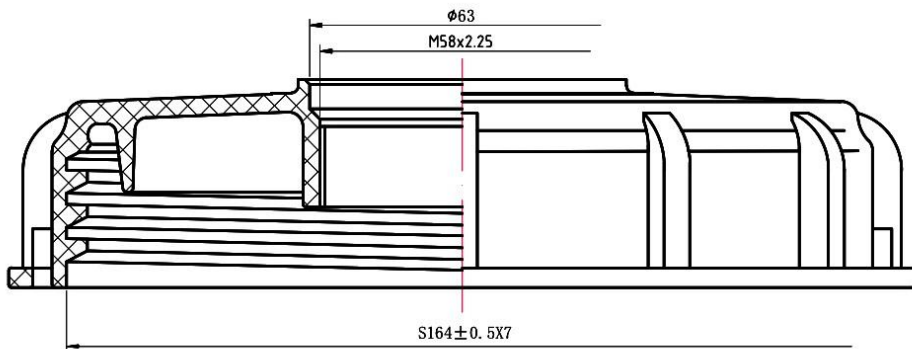
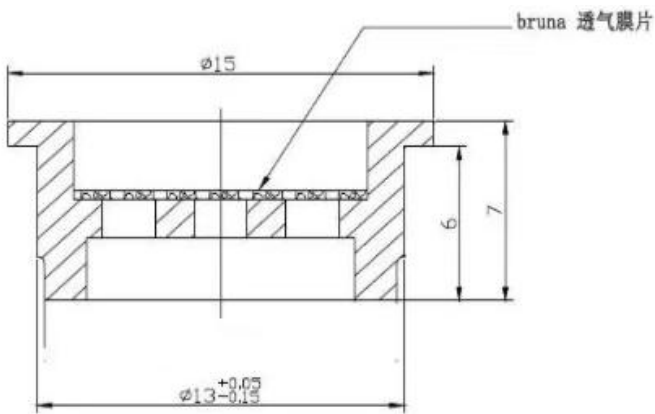
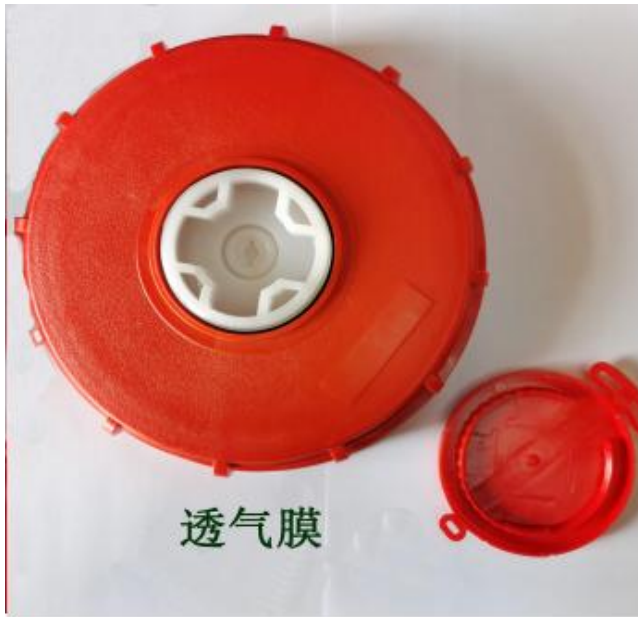
Screw cap DN150:	PE-HD, Red/Black/White
O-ring gasket:	EPDM
G2-plug:	PP
O-ring of 2 inch gasket:	TPE, natural

Vent Specification:

Height: 7.0 ± 0.5 mm
Color: natural
Airflow volume(L/h, $\Delta 150$ mmH₂O): >12L
Water entry pressure(kpa): >80

Heavy metals: Concentration level of heavy metals (Pb, Cd, Cr VI and Hg) in packaging does not exceed 100ppm





标记	处数	文件号	签字	日期

透气盖

YRQ-1-04			
图样标记	数量	重量(kg)	比例
	1		1:1.5

